

Operating Manual

Models:
785 Tilt Recliner
85V Tilt Chair



Register your warranty online at www.brodaseating.com

Distributor/Rep: This manual must be given to the caregiver responsible for this chair and its occupant.

Caregiver: Before using this chair, read this manual thoroughly and save for future reference.

Actual product may differ slightly from images in Operating Manual

Contents

FOREWORD	1
GENERAL INFORMATION	2
1 DEFINITIONS	3
2 SAFETY REQUIREMENTS	4
2.1 Training	4
2.2 Application	4
2.3 Shipping and Storage	4
2.4 Pre-Service Check	5
2.5 Hazards	5
2.5.1 Position of Chair - “Danger of Falling”	5
2.5.2 Position of Seat Tilt - “Danger of Tipping”	5
2.5.3 Location of Chair - “Danger of Tipping or Falling Objects”	5
2.5.4 Total Lock Wheel Brakes - “Danger of Falling”	5
2.5.5 Re-Positioning of Resident - “Danger of Clamping”	6
2.5.6 Unintended Movement - “Danger of Falling or Collision”	6
2.5.7 Resident Clothing - “Risk of Injury to Resident’s Skin”	6
2.5.8 Improper Restraint Use - “Risk of Serious Injury”	6
2.6 Improper Use	7
2.7 Cleaning	7
2.8 Maintenance	8
2.9 Resident Specific Instructions	10
3 OPERATION AND MOVEMENT	11
3.1 Seat Tilt	11
3.2 Back Recline (Model 785 Only)	11
3.3 Trendelenburg (Model 785 Only)	11
3.4 Elevating Leg Rest	12
3.5 Flip Down Footrest	12
3.6 Removable Wings	13
3.7 Shoulder Bolsters	13
3.8 Swing Away/Removable Arms	14
3.9 Height Adjustable Armrests	15
3.10 Casters	15
3.11 Accessories (Options)	16
3.12 Motor Vehicle Use (Vehicle Transport Package Option)	16
4 INSPECTION AND FUNCTIONAL TESTING	20
4.1 Inspection	20
4.2 Functional Testing	20
5 TECHNICAL INFORMATION	21
5.1 Specifications	21
5.2 Labels	22
5.3 BRODA Seating 785 Parts Schematic Drawing	23
5.4 BRODA Seating 85V Parts Schematic Drawing	25
6 COMMON TROUBLESHOOTING AND REPAIR	27
6.1 Troubleshooting for Gas Cylinders	27
6.2 Rear Casters	28
7 WARRANTY	29



FOREWORD

Congratulations on your purchase of a BRODA chair and thank you for your confidence in our company and products.

BRODA assumes a leadership role in providing optimum re-positioning functions and mobility for residents of long-term care institutions. Our chairs do not look like traditional chairs and offer advantages unique to BRODA. We are sure that after using your BRODA chair, you will be convinced that your resident's quality of life will be greatly enhanced.

This manual will assist you in making the best use of the capabilities of your BRODA chair and will ensure that you quickly become familiar with its operation.

After reading this manual, if you have any questions about the safe and effective operation of your BRODA chair or accessories contact your local BRODA representative or our Head Office Customer Service personnel for further assistance.

Head Office:

BRODA Seating

560 Bingemans Centre Drive

Kitchener, Ontario Canada N2B 3X9

Phone: (519) 746-8080 Toll Free Can/US: 1-800-668-0637

Fax: (519) 746-8616

E-mail: sales@brodaseating.com

URL: www.brodaseating.com www.seatingisbelieving.com

GENERAL INFORMATION

This document provides guidance on the safe and effective operation of the BRODA chair.

Information in this manual must be followed at all times.

Anyone involved with the operation or maintenance of the BRODA chair, including the resident's family members, must read this operating manual before using the chair.

The resident's primary caregiver is responsible for ensuring that anyone who is unfamiliar with, unwilling, or unable to adhere to the safety and operating instructions, is not permitted to operate or move the chair.

A copy of this instruction manual must always be available.

BRODA accepts no liability for damages, injury or accidents caused by operating errors, improper maintenance, or disregard of the instructions in this manual, including any resident specific instructions.

BRODA reserves the right to make changes to the specifications, dimensions, functions, or components of its products without notice. Product representations in this manual may vary from delivered products.

Each BRODA chair has a unique identifying serial number that must be maintained on the chair as well as with any equipment records.

1 DEFINITIONS

“BRODA” means BRODA Enterprises Inc. doing business as BRODA Seating.

“BRODA chair” refers to Elite chair models 785 and 85V.

“Long-Term Care Institution” refers to a nursing home, hospital, or other healthcare facility that provides health and personal care to its residents on a long-term basis.

“Resident” refers to an individual living in a long-term care institution under the care of professional caregivers.

“Professional Caregiver” refers to doctors, nurses, therapists, nursing aids, healthcare aids, and other specialists who work in a long-term care institution and provide health and personal care to its residents.

“Caregiver” refers to any person in a long-term care institution who is appropriately trained to provide care or services to the resident or the chair used by the resident and may include the resident’s family members or guardian.

“Seat Tilt” refers to changing the relative angle between the chair’s seat and the chair frame or ground without changing the relative angle between the back and the seat.

“Back Recline” refers to changing the relative angle between the chair’s back and the seat.

“Footrest Elevation” and “Leg Rest Elevation” refers to changing the relative angle between the chair’s footrest and/or leg rest and the seat.

“Transfer(s)” refers to the movement of a resident into or out of the chair with the assistance of their caregiver(s).

“Mechanical Transfer(s)” refers to the movement of a resident into or out of the chair with the assistance of their caregiver(s) using a patient lift or other assistive device that bares the weight of the resident.

2 SAFETY REQUIREMENTS

2.1 Training

Before the chair is put into service, this manual must be read thoroughly by the caregiver(s) directly responsible for the resident's care.

After the chair is put into service, this manual must be read thoroughly by any new caregivers prior to operating or moving the chair.

For the purpose of this manual, a resident's family member who shares responsibility for their care is considered a caregiver and is subject to the same competency before being permitted by the resident's primary caregiver to operate or move the chair.

Prior to first use, the customer must arrange for an in-service on the operation and safety requirements in this manual, must be given to the resident's caregivers by the local BRODA representative who supplied the chair.

The primary caregiver must maintain a list of caregivers who have read this manual and who they have authorized to operate and move the chair.

The resident's primary caregiver is responsible for ensuring that anyone who is unfamiliar with, unwilling, or unable to adhere to the safety and operating instructions, is not permitted to operate or move the chair.

The operations of the chair must be performed by the resident's primary caregiver who is responsible for seating. All The operations and adjustments performed should be done in a manner to ensure the overall safety, comfort and well-being of the resident, caregiver and third party. All operations and adjustments required for the resident should be determined by the resident's primary caregiver who is responsible for seating.

2.2 Application

BRODA chairs are intended exclusively for residents of long-term care institutions who are under the care of professional caregivers. The suitability of a BRODA chair must be determined by a qualified caregiver who is familiar with the seating needs of the intended resident. Any other use of the chair is excluded from possible liability claims.

The Elite chairs are not to be used in the shower. The frame and components will rust, and will void the warranty.

The chairs are not explosion resistant and must not be used where there are flammable gases or liquids present (e.g., anesthetics, volatile solvents and cleaners, etc.)

BRODA chairs are designed for use with specific BRODA parts and accessories. The use of non-BRODA parts or accessories with a BRODA will void the warranty and is excluded from possible liability claims.

BRODA chairs may only be used as described in this manual and with proper regard for recognized healthcare and workplace safety and accident prevention practices.

2.3 Shipping and Storage

BRODA chairs should be shipped and stored in an upright position and not stacked higher than 3 boxes. No other materials should be shipped or stored on top of a BRODA box. BRODA boxes should not be placed on pallets.

BRODA chairs should be shipped and stored at temperatures between -20°C and 40°C. BRODA chairs should not be used until they are between 0°C and 30°C.

BRODA chairs should be kept in a clean, dry environment. Do not leave BRODA chairs outdoors as it may cause the paint to peel.

Upon receipt, the shipping carton must be immediately examined for damage. Any damage should be noted on the delivery receipt and a request for inspection by the transportation company should be made. Next, the shipping carton should be opened and the chair must be examined for concealed shipping damage. If the chair appears to be damaged, do not use the chair. File a concealed damage report with the transportation company.

2.4 Pre-Service Check

BRODA chairs are delivered fully assembled. If the chair does not appear to be ready to use upon receipt, immediately contact your supplier and do not put the chair into service until any concerns have been resolved.

Visually inspect the chair for damage, missing parts, and loose fasteners prior to testing the chair's functions. Functional testing must be successfully completed after visual inspection and before use. These obligations apply to the chair's first use and to all subsequent uses (Section 4: Inspection and Functional Testing).

2.5 Hazards

2.5.1 Position of Chair - "Danger of Falling"

Immediately after a resident is transferred into a chair, we recommend that the chair's seat be tilted sufficiently to prevent the resident from sliding or falling forward off the chair. The amount of seat tilt used should be determined by the resident's caregiver who is responsible for seating.

We recommend that the resident's feet be correctly positioned on the footrests and slightly to fully elevated to prevent the resident from sliding or falling forward off the chair. The amount of elevation used should be determined by the resident's caregiver who is responsible for seating.

2.5.2 Position of Seat Tilt - "Danger of Tipping"

We recommend that the chair's seat be tilted sufficiently to prevent an agitated resident from tipping the chair forward or backward, or from slumping and sliding in the chair. The amount of seat tilt used should be determined by the resident's caregiver who is responsible for seating. Always ensure that the resident is properly positioned before operating the seat tilt.

2.5.3 Location of Chair - "Danger of Tipping or Falling Objects"

We recommend that when a resident has been moved to their destination, the chair is placed where the resident cannot reach handrails or other objects, fixed or movable. This is to prevent the resident from pulling the chair over or pulling themselves off the seating surface and to prevent the resident from pulling movable objects onto the chair and themselves.

We recommend that the chair be used in a supervised area to prevent untrained residents, caregivers, or third parties from unauthorized operation, movement, or unsafe actions such as sitting or leaning on the reclined back, elevated footrest, or the armrests. These actions, if not prevented, put the chair at risk of tipping or damage to the chair.

We recommend that a chair only be located on a level surface to minimize the risk of tipping over.

2.5.4 Total Lock Wheel Brakes - "Danger of Falling"

The special casters found on the BRODA chair have total lock brakes which prevent the wheels from turning and swiveling. The brakes must always be applied when:

- 1) the chair is not in use;
- 2) a resident is being transferred (moved) into or out of the chair; and,
- 3) the chair is not being moved by a caregiver.

It is important to note that if the wheel locks are applied while the patient is in the chair, that the caregiver does not leave the patient unattended, especially those patients who have the capability or tendency to move the chair and/or those who may be agitated. This could cause harm to the patient if they attempt to move the chair while the wheel locks are applied.

Note that removing and attaching the footrest may be easier for the caregiver with the brakes applied

Failure to follow these instructions will unnecessarily increase the risk of serious falls by residents, caregivers, or third parties caused by the chair unintentionally moving.

2.5.5 Re-Positioning of Resident - “Danger of Clamping”

BRODA chairs offer the benefits of seat tilt, back recline, leg rest/footrest elevation, and moveable arms. During the movement of any of these functions, the following safety measures must be observed:

- 1) The resident’s arms must be positioned on the armrests or inside the chair frame with their hands on their body or on.
- 2) The resident’s feet must be correctly positioned on the footrest.
- 3) All of the chair’s brakes have been applied.
- 4) Only one caregiver at a time attempts to operate the chair’s functions.
- 5) Only one chair function is operated at a time.
- 6) The rear wheels are in the trailing position, behind the chair frame.
- 7) The residents’ and caregivers’ body are clear of all pinch points before operating the chair’s functions.

Failure to follow these safety measures can put the residents’ or caregivers’ limbs at risk of injury. Residents who may be unaware of their body position or unable to maintain a safe body position are at the most risk of the danger from clamping and caregivers should be more cautious with these residents. A second caregiver may be required to ensure the safety of these residents during these operations.

2.5.6 Unintended Movement - “Danger of Falling or Collision”

We recommend BRODA chairs for indoor use within a long-term care institution and where there is not enough slope to cause the chairs to move unaided. Chairs used where the surface is uneven or sloped are at risk of unintended movement and could become a serious danger to the resident, caregiver(s), or a third party. We recommend that BRODA chairs are located away from stairwells, elevators, and exterior doorways within a long-term care institution.

Outdoor use is appropriate only under the strict supervision and full attention of a caregiver who is physically capable of preventing any unintended movement over any surfaces that are to be traveled on. We recommend that a second caregiver assist when the chair is moved over surfaces that could cause significant unintended movement.

2.5.7 Resident Clothing - “Risk of Injury to Resident’s Skin”

We recommend that residents only be seated while they are fully dressed in clothing that meets the needs of their specific condition. If after being fully dressed, a resident’s bare arms, legs, or body could still come into direct contact with the vinyl straps or vinyl pads, we recommend the use of a covering, such as the BRODA terry cloth covered seat and/or back pad or a folded cloth bed sheet to prevent direct contact. Direct contact of bare skin on the straps over a period of time could cause moisture on the resident, and/or cause the skin to stick to the straps. Prior to the operation or movement of a chair with a covering, the caregiver must ensure any covering placed on the chair does not come into contact with any moving parts and is securely placed, so not to slip.

2.5.8 Improper Restraint Use - “Risk of Serious Injury”

We recommend that alternatives to physical restraints be used with residents while seated in the chair except under the specific instructions of the resident’s primary caregiver and with permission of the resident’s family or guardian. Physical restraints have been identified as a common cause of serious injury to residents while they are seated. We recommend that the primary caregiver responsible for seating first consider the re-positioning options available in the chair to reduce the risks of sliding, falling, or self-injury.

If a physical restraint is determined to be appropriate to prevent sliding or falling out of the chair, we recommend that the BRODA thigh belt be used. If a physical restraint is determined to be appropriate to prevent self-injury from resident movement, we recommend the BRODA HSP padding package. In all cases, it is the resident’s primary caregiver that must take responsibility for the safety of the resident if restraints are used.

2.6 Improper Use

As outlined, the improper use of the chair is dangerous to the resident, caregivers, or third parties, and can consist of, but is not limited to the following:

- 1) Unauthorized operation of the chair's functions.
- 2) Unauthorized movement of the chair.
- 3) Inappropriate use of the chair for a resident who has not been assessed by a qualified caregiver responsible for their seating.
- 4) Failure to frequently reposition the resident in the chair
- 5) Attempting to operate of multiple chair functions simultaneously by one or more caregivers.
- 6) Attempting to move the chair with the brake(s) applied.
- 7) Leaving the resident unattended in the chair near other objects.
- 8) Leaving an agitated resident in the chair in an unsupervised area.
- 9) Leaving a resident unattended.
- 10) Leaving a resident in a chair on a sloping surface.
- 11) Leaving a chair unattended on a sloping surface.
- 12) Using non-BRODA accessories on the chair.
- 13) Using the chair at temperatures below 0°C.
- 14) Using the chair as a shower or bathing chair.
- 15) Using the chair for any use other than its intended purpose.

2.7 Cleaning

BRODA chairs should be wiped clean with soap and water. Diluted household strength ammonia or chlorine based cleaner, as well as a hospital grade cleaner may be used if necessary.

Refer to the following guide for cleaning certain staining agents (Applies to the Permablok3® vinyl, as per the vinyl manufacturer's recommendations) The frame and components of the chair can be cleaned using the same procedure as the vinyl.

The steps below are also located in the Cleaning Guide found on the back of the Broda chair

Staining Agent

Cleaning Procedure

Eye Shadow / Mascara	Step 1
Grease / Suntan Lotion / Chocolate	Step 1
Blood / Bodily Fluids	Step 2
Red Lipstick	Step 2
Oil Base Paint / Tar / Asphalt	Step 3
Other Tough Stains	Step 4 or 5*

Step 1: Remove excess spill with a damp cloth. Clean with a 1:1 mix of Ivory® liquid and water. Rinse with clean water and dry.

Step 2: Use a straight application of concentrated cleaners such as Formula 409® or Fantastik® Spray Cleaner. Then wipe with a clean cloth. If using a hospital grade cleaner, follow the diluting instructions on the label.

Step 3: Use a 1:1 mix of ammonia and water or a 1:4 mix of bleach and water. Rinse with clean water and dry.

Step 4: Use a straight application of naphtha (lighter fluid). Rinse thoroughly with clean water and pat surface dry.

Step 5: Use a 1:1 mix of isopropyl alcohol and water. If the stain persists, use straight alcohol. Rinse thoroughly with clean water and pat dry. If the stain remains, use a 1:1 mix of acetone and water. Rinse with clean water and pat surface dry.

***Note:** for cleaning that requires steps 4 or 5 – Use a soft cotton cloth saturated with the cleaning material and rub the stain in circles 10 times. Pat dry with another soft cotton cloth, and check results.

For best cleaning results, certain parts and padding on the chair should be removed: Instructions for removal of the following parts are located in this manual: Ensure that the entire chair including removable and non removable parts is thoroughly cleaned.

Pay close attention to the frame, sockets, fasteners, parts and casters, as well as the padding for an even, thorough clean.

Remove parts for cleaning if desired:

- 1) Wings
- 2) Swing Away/Removable Arms
- 3) Footrest
- 4) Padding

Thoroughly clean all removable parts and padding, as well as the frame and components around the parts and padding that have been removed.

BRODA chairs should not be cleaned with petroleum based cleaners. Any petroleum based products that come in contact with any vinyl surface should be removed as quickly as possible. Petroleum based products make vinyl brittle and will damage the seating surface and cushions. Metal parts and cushions should be wiped completely dry after cleaning. Do not launder vinyl padding. Terry cloth seat and back covers can be laundered and tumble dried.

Do not allow the chair to air dry. Leaving the chair to air dry and not ensuring the entire chair is completely dry may cause the frame and components to rust. Solvents such as those found in spray lubricants should not be used on BRODA Chairs as they can damage moving parts.

Frequency and method of cleaning the chairs should be determined by facility infection control protocols. If visibly soiled, thoroughly clean the chair immediately as per the cleaning instructions in this manual.

The cleaning instructions in this manual are guidelines only. Results may vary under actual conditions. The information does not relieve the user of proper and safe use of the product and all cleaning agents and consideration for the overall cleaning maintenance of the chair. Cleaning and care instructions must be followed in conjunction with facility infection control protocols.

BRODA will not accept warranty or liability claims on chairs that have not been cleaned according to the instructions or cared for in proper regard for patient, caregiver and third party safety and hygiene.. The use of certain agents may be harmful to the surface appearance and lifespan of the vinyl. BRODA assumes no responsibility resulting from the use of such cleaning agents to the vinyl.

Touch up paint is available for the powder coated frame. Please call Broda's Customer Service Department if touch up paint is required. Do not leave BRODA chairs outdoors as the frame is not UV protected. Leaving the chairs outdoors could cause the paint to peel.

Formula 409® is a trademark of the Clorox Company.

Fantastik™® is a trademark of DowBrands, Inc.

Trademark of the Dow Chemical Company.

Ivory® is a trademark of Proctor and Gamble.

2.8 Maintenance

The maintenance on a BRODA chair will vary with the amount of use and the condition of the resident using the chair.

In regular use, after the initial inspection and functional testing, the chair should be inspected and tested bimonthly. We recommend visually inspecting for signs of wear, damage, loose or missing fasteners, and other safety concerns. Periodic testing of chair functions is also necessary. If a breakage, defect, or operational problem is detected, the chair must be successfully repaired, inspected and tested for function before it is returned to service.

The chair should be inspected and tested as often as each use if the chair is used by:

- 1) Aggressive or agitated residents.

- 2) Residents who have involuntary movements.
- 3) Residents weighing over 220 lbs.
- 4) A facility with irregular or sloped surfaces.
- 5) Any unauthorized person.

Do not use lubricants that contain solvents. Solvents may compromise any rubber components on the chair. If necessary, white food grade grease or lubricant can be used on any sliding components.

3 OPERATION AND MOVEMENT

Safety measures as described in Section 1 must be observed when operating the chair's functions or moving the chair. Only authorized caregivers should attempt to operate or move a chair. The caregiver must use proper body mechanics when operating the chair, and be prepared to support the weight of the resident while operating the chair.

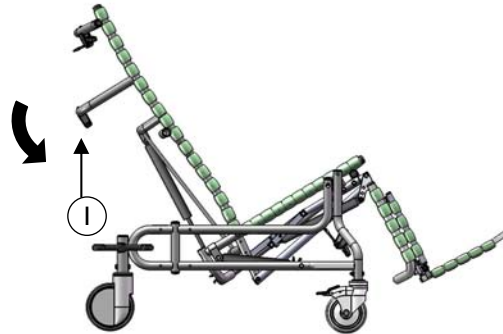
3.1 Seat Tilt

Gas cylinders allow the seat to be tilted to any position from most upright to the lowest within its range. Use seat tilt to safely position the resident, redistribute pressure and increase comfort.

To Activate the Seat Tilt

-Place your right hand on the bar to assist movement and squeeze the tilt handle with your left hand.

-Raise or lower the seat tilt until the desired angle is achieved.



3.2 Back Recline (Model 785 Only)

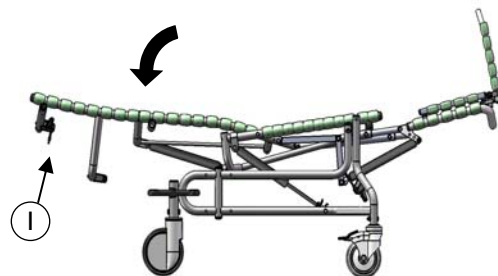
Gas cylinders allow the back to be reclined to any position from the most upright to the lowest within its range. Use back recline to position resident, create pressure redistribution, increase comfort, and assist with daily care activities.

WARNING: Always tilt slightly before reclining to prevent resident from sliding.

To Activate the Back Recline

-Place your left hand on the top bar to assist movement and squeeze the recline handle with your right hand.

-Raise or recline the back until the desired angle is achieved.

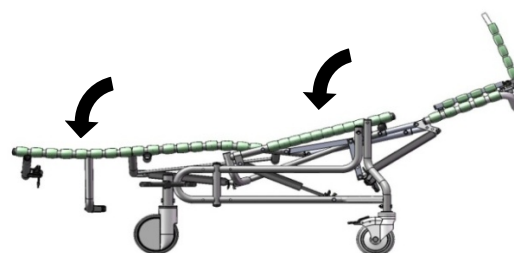


3.3 Trendelenburg (Model 785 Only)

The Trendelenburg feature allows caregivers to quickly position the feet above the head.

To activate Trendelenburg

-Recline fully, then tilt fully.



3.4 Elevating Leg Rest

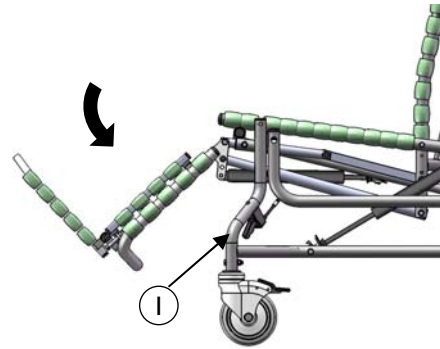
Gas cylinders allow the leg rest to be positioned infinitely from horizontal to vertical. The leg rest elevates and extends with recline on the 785. It is also independently adjustable.

To Adjust the Leg Rest:

-Hold leg rest to assist movement and squeeze the leg rest handle.

-Raise or lower the leg rest to the desired angle.

The leg rest articulates with changes to the back recline but not with changes to the seat tilt. If the back is in the recline position, the leg rest cannot be lowered independently.



3.5 Flip Down Footrest

The flip down footrest is removable and length adjustable.

To Attach the Footrest:

-Insert the right end of the footrest upper cross piece into the desired hole in the right side of the leg rest frame.

-Insert the left end of the footrest upper cross piece into the corresponding hole in the left side of the leg rest frame.

-Release the tension on the spring mechanism.

To Remove the Footrest:

-Lift up the footrest slightly to discontinue contact between the straps on the footrest and the leg rest.

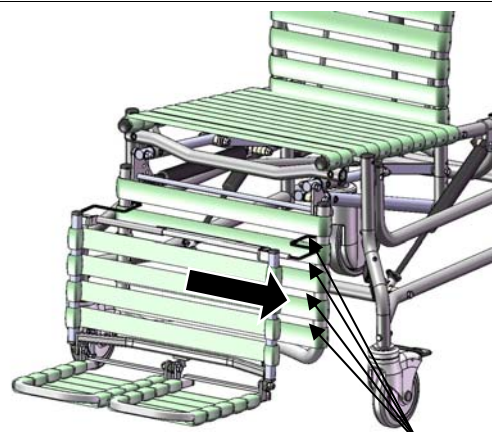
-Squeeze the footrest to the right to activate the spring mechanism, and release the left and right side.

Footplate Angle Adjustment:

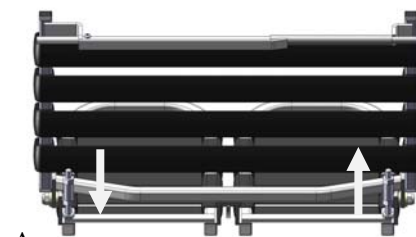
The footplates individually flip up to accommodate transfers and are angle adjustable to accommodate foot drop and ankle contractures.

WARNING: Do not attempt to stand on the footplates.

To adjust the footplates less than 90°, extend the bolt as indicated by A. To make the angle more than 90°, shorten the bolt (as indicated by B)



Length Adjustment Increments



A

3.6 Removable Wings

Wings support the Shoulder Bolsters which provide upper body lateral support to the resident.

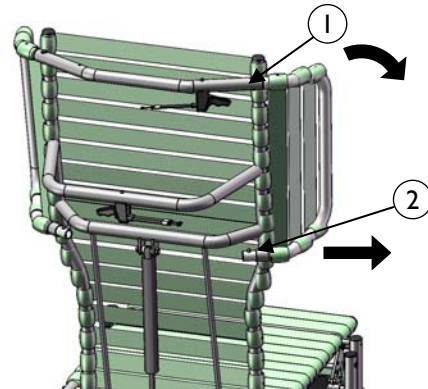
To Remove the Wing:

-Depress the top button (1) and pull the wing from the receptacle. The wing may be moved out of the way without its full removal.

-To completely remove the wing, depress the bottom button (2) and remove from the receptacle.

To Insert the Wing:

- Insert the lower end of the wing into the lower receptacle.. Then insert the upper end into the upper receptacle. Ensure the wing is secured in place.



3.7 Shoulder Bolsters

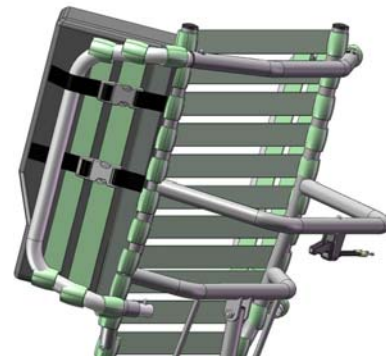
The Shoulder Bolsters provide upper torso support, protection and containment and accommodate asymmetries in the chair user. Their unique design allows for proper elbow access to the arm rest. The Shoulder Bolster is always used in conjunction with the side wing.

To Attach the Shoulder Bolsters:

-Feed both Shoulder Bolster straps between the inner strap of the wing and the frame of the chair.

-Secure the buckles and cinch the straps to secure the bolster to the wing. The bolster can be slid up and down the wing if desired.

Note: The Shoulder Bolster can be inverted on the wing in order to provide support to narrower residents.



3.8 Swing Away/Removable Arms

The swing away removable arms allow for side access to facilitate safe and easy transfers. The Elite chairs offer a choice of two different arms styles: seat mounted or base mounted. (Seat mounted arms tilt with the seat; Base mounted arms remain at a fixed angle.)

To Remove the Base Mounted Arms:

-Push down on the front of the armrest while pushing in the button on the side panel and allow the armrest to “pop up.”

-Swing the side panel away or remove completely.

To Remove the Seat Mounted Arms:

- Push the button on the front of the seat, while pulling out the arm.

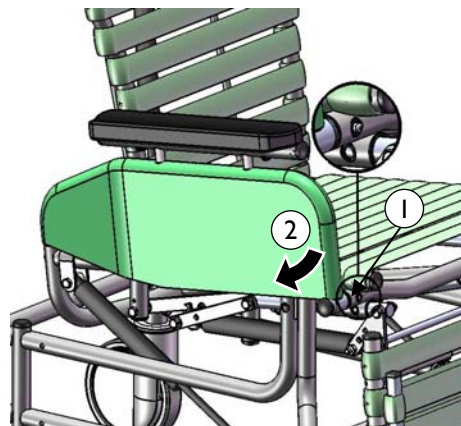
- Swing the side panel away or remove completely.

Note: Chairs with mag wheels of 20” or larger will not allow for the side panels to swing away, however they are removable.

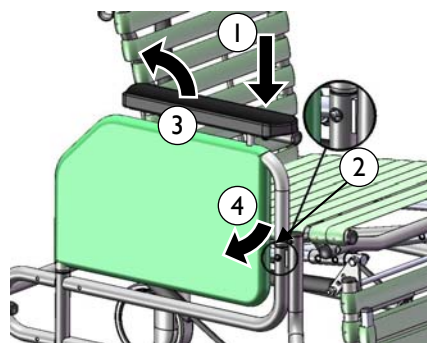
To Insert the Base or Seat Mounted Arms:

- Insert the back end of the side panel into the back receptacle.

- Swing the side panel and towards the front of the chair and insert front of arm into front receptacle until you hear a clicking sound.



Swing Away/Removable Arms -
Seat Mounted



Swing Away Removable Arms –
Base Mounted

3.9 Height Adjustable Armrests

The armrest height can easily be adjusted in order to accommodate various residents. The armrest height should be adjusted to provide correct arm support for the resident as determined by the caregiver.

To Adjust the Armrest Height:

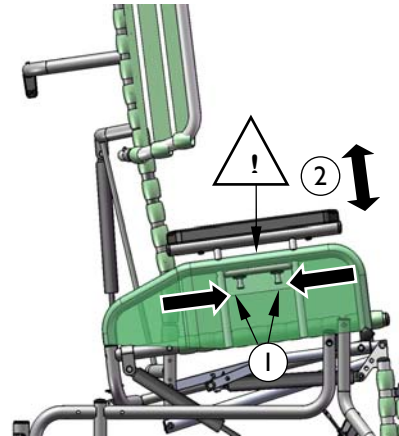
-Squeeze the pins together which are located under the armrest flap.

WARNING: DO NOT place fingers at the top of the pins as this could cause pinching. Place fingers in the concave shape of the pins.

-Raise or lower the arm to the desired height.

WARNING: DO NOT place fingers anywhere underneath the arm while adjusting, as this could cause pinching. Upon releasing the pins the armrest height will lock into place.

Secure the outside flap on the side panel. Change the height on the other arm as desired.



3.10 Casters

The Elite chairs feature 5" front total lock casters and 6" rear directional locking casters.

To Operate the Front Casters:

Step on/off caster pedal to lock/unlock caster.

To Operate the Rear Casters:

The rear caster function is controlled by one step on the butterfly pedal.

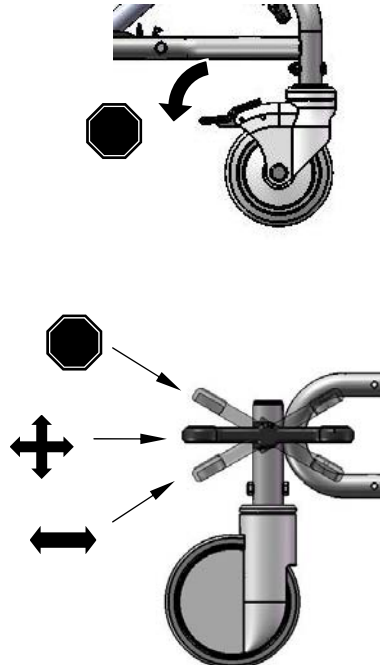
The tracking position eliminates any swivel function, which is ideal for pushing the chair down hallways.

The swivel position is ideal for maneuvering in tight Spaces and moving the chair laterally.

The locked position prevents the movement of both rear casters.

Always ensure the brakes are unlocked when wheeling the chair.

For chairs with rear mag wheels, lock and unlock using the handbrake.



3.11 Accessories (Options)

We recommend BRODA accessories for use only on BRODA chairs. The correct installation of the BRODA accessory is very important. We recommend that the BRODA chair is ordered with the required accessories already installed. Only authorized caregivers who thoroughly understand the accessory installation procedures should attempt to install their BRODA accessories without assistance from their local BRODA representative. BRODA does not recommend use of other manufacturer's accessories on BRODA chairs.

3.12 Motor Vehicle Use (Vehicle Transport Package Option)

Identify whether your chair has been manufactured with the Vehicle Transport Option.

If your chair is NOT equipped with the Vehicle Transport Option, this chair does NOT meet the federal standard for motor vehicle seating. DO NOT permit individuals to sit in this chair while in a moving vehicle.

If your Chair IS equipped with the Vehicle Transport Option, (Equipped with brackets shown below)

This 785-550 Elite Chair conforms with the requirements of ANSI/RESNA WC/Vol. 1- Section 19 vehicle crash test standards with occupant load of 75 kg. (165 lbs.)

Testing was conducted in accordance with procedures set forth in Annex A of Section 19, ANSI/RESNA WC/Vol. 1 Wheelchairs Used as Seats in Motor Vehicle, hereafter referred to as ANSI/RESNA WC19 or WC 19. The chair's performance has been measured and evaluated according to the requirements of 5.3 of this standard. The wheelchair ATD was restrained by a three-point belt with a commercial wheelchair-anchored lap belt and surrogate shoulder belt. Testing was conducted with: 785-550 20" Elite, 13° seat tilt, 18.5" seat depth, mag wheel hole position # 2.

The WC-19 test was conducted using 48kph (30mph) and 20-g average impact conditions to determine the frontal impact response of the wheelchair.

Broda Elite Chair Vehicle Transport Option is available factory installed only. It can NOT be retrofit to existing models or serviced in the field.

The Broda Vehicle Transport Option consists of:

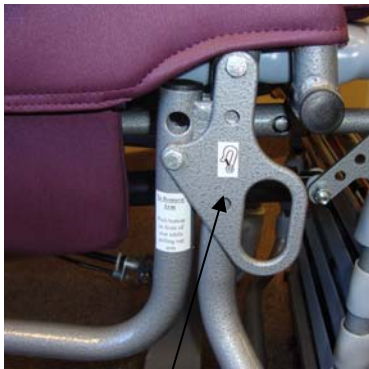
- Front Securement (left and right)
- Rear Securement (left and right)
- Front Crash Stabilizer (left and right front casters)
- Vehicle Restraint Seat Belt (conforms with WC-19) and Anchor
- Footrest tether

Use only Wheelchair Tie Down and Occupant Restraint Systems which meet the requirements of SAE J2249. Recommended Practice- Wheelchair Tie Downs and Occupant Restraint Systems for Motor Vehicles.

Chairs involved in vehicle accidents should be taken out of use immediately.

If a problem is detected with any of the Vehicle Transport Option components or any components of the chair, remove the chair from service and contact Broda immediately

Vehicle Transport Option Components:



Front Securement



Rear Securement

Wheelchair anchored lap belt anchor



Front Crash Stabilizer



Vehicle Restraint Seat Belt



Footrest Tether

Instructions:

- 1) Attach footrest tether to legrest by wrapping long tether strap around legrest frame and buckling long tether strap to short tether strap on footrest.

WARNING: Footrest tether must remain attached to footrest for vehicle transport. Do not reroute, do not remove, and do not adjust footrest tether. Footrest tether shall only be removed if being replaced.

- 2) It is recommended users transfer to the vehicle seat and use the vehicle-installed restraint system.
- 3) The pelvic belt should be worn low across the front of the pelvis, so that the angle of the pelvic belt is within the preferred zone of 45° to 75° to the horizontal, or the optional zone of 30° to 45° to the horizontal as shown in figure 8.

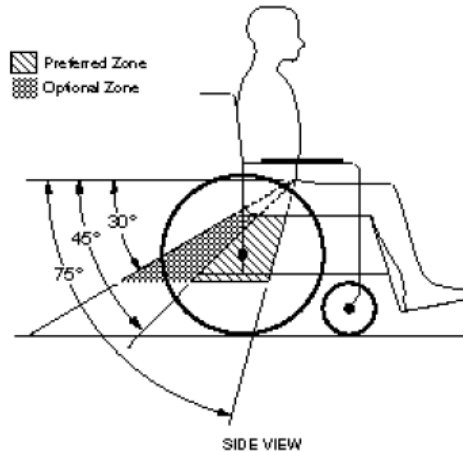


Figure 8 - Zones of preferred and optional angles for pelvic belts.

- 4) Belt restraints should not be held away from the body by chair components or parts, such as the wheelchair armrests or wheels.
- 5) Upper torso belts should fit over the shoulders
- 6) Belt restraints should be adjusted as firmly as possible, consistent with user comfort and
- 7) Belt webbing should not be worn twisted in a manner that significantly reduces the area of contact of the belt with the occupant.

WARNINGS!

- 1) **The chair should be used only for forward-facing seating in motor vehicles,**
- 2) **The chair should be used as indicated in the manufacturer's instructions,**
- 3) **The chair has been dynamically tested in a forward-facing mode with the ATD restrained by both pelvic and shoulder belts, and that both pelvic and upper torso belts should be used to reduce the possibility of head and chest impacts with vehicle components,**
- 4) **Only belt restraints that comply with the provisions of 4.9.2 through 4.9.5 and 5.2, and that have been dynamically tested in accordance with Annex A and 5.3, should be installed on the chair for use as a restraint in a motor vehicle,**
- 5) **Postural supports and belts may be used in a vehicle in addition to the occupant belt restraint, but should not be relied upon to replace occupant restraints that have been designed and tested for this purpose.**
- 6) **If the chair is not equipped with a belt restraint that complies with 4.9.2 through 4.9.5 and 5.2, and that has been dynamically tested in accordance with Annex A and 5.3, or if the**

chair user chooses not to use such a wheelchair-anchored –belt restraint, a vehicle-anchored belt restraint should be used,

- 7) Auxiliary chair equipment should be removed from the chair and secured in the vehicle, during transit whenever possible, so that it does not break free and cause injury to vehicle occupants in a crash,
- 8) In order to reduce the potential of injury to vehicle occupants, chair-mounted trays not specifically designed for crash safety should be removed and secured separately in the vehicle,
- 9) Broda should be consulted in case of questions about using the chair for seating in a motor vehicle,
- 10) Alterations or substitutions should not be made to the chair structural and frame parts or components without consulting Broda,
- 11) Recommended clear zones are in front and behind the chair user, as shown in figure 10. Frontal clear zones need to be larger when upper torso belts are not used.

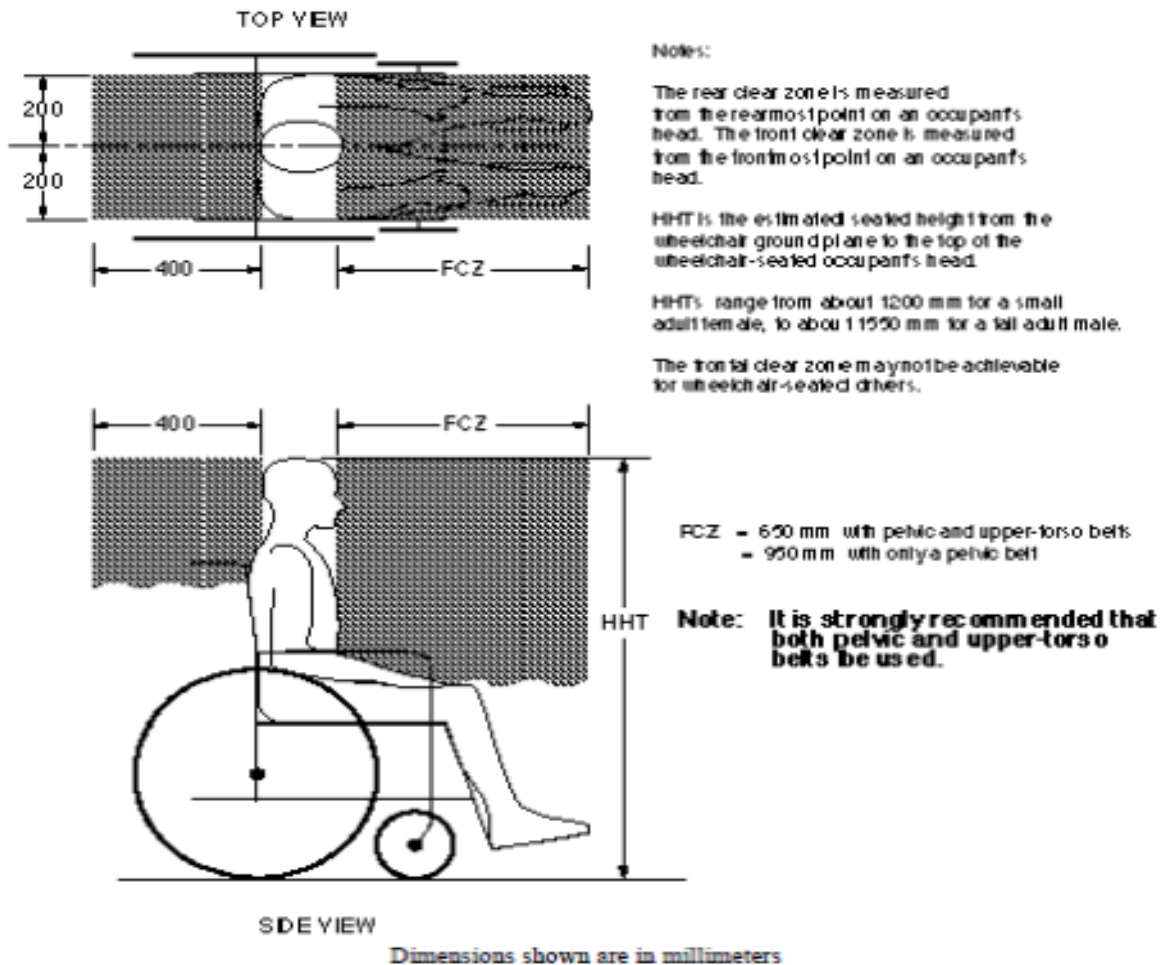


Figure 10 - Clear zones for wheelchair-seated occupants.

4 INSPECTION AND FUNCTIONAL TESTING

Safety measures as described in Section 1 must be observed when inspecting or testing a chair. Only authorized caregivers or maintenance staff should attempt to inspect or test a chair.

4.1 Inspection

We recommend regular visual inspection for signs of wear, damage, loose or missing fittings, and other safety concerns. If a breakage, defect, or operational problem is detected, the chair must be repaired inspected and tested for function before it is returned to service.

We recommend that the chair be inspected as often as each use if there is any reason to be concerned about the possibility of increased wear or loose or missing fittings. **At a minimum, in regular use the chair should be inspected on a bimonthly basis.** The visual inspection procedure should include at least the observation of all the fittings (fasteners):

The visual inspection procedure should include at least the observation of the following parts:

- 1) The cylinders that position the seat tilt, back recline, and independent leg rest elevation.
- 2) The vinyl straps used in the seat, back, leg rest, footrest and wings
- 3) The cushions
- 4) The 3 black handles and cables.
- 5) The armrest height adjustment pins

The visual inspection procedure should include the observation of any installed accessories. The visual inspection should be performed by the facility, or if in a private residence, by the individual responsible for the chair.

4.2 Functional Testing

We recommend that the chair should be tested for operation of the chair's functions without a resident in the chair. The testing may be as often as each use if there is any reason to be concerned about the possibility of increased wear or damage to the chair's components. At a minimum, in regular use the chair should be tested for functions as described in Section 3.

If the caregiver or maintenance department performing the functional testing believes that any function is not operating correctly, the chair should be taken out of service until a satisfactory functional test can be completed.

The caregiver or maintenance department performing the testing should be aware that the seat tilt, back recline, and footrest (leg rest) elevation operations will be more difficult without a resident in the chair. When performing repairs or maintenance, do not use lubricants that contain solvents. Solvents will damage many of the moving components in the chair. If necessary, a white, food grade grease (lubricant) may be used on the sliding components in the chair. Do not use spray lubricants on any part of the chair.

5 TECHNICAL INFORMATION

5.1 Specifications

Specifications Based on 20" Wide Elite Chair


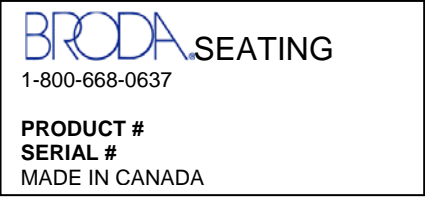



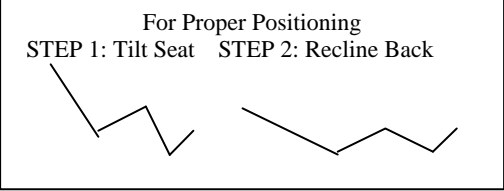
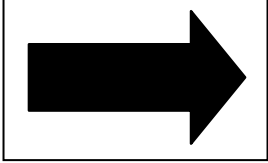
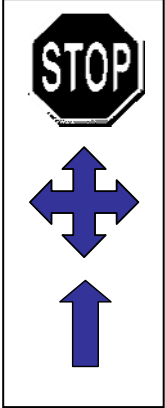
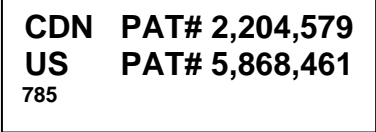
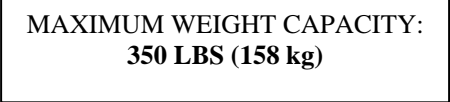
1. Back Recline: Up to 90° (infinitely adjustable) (Model 785 only)
Trendelenburg position capable (Model 785 only)
2. Seat Tilt: Up to 38° of seat tilt (infinitely adjustable)
3. Frame: 16 gauge powder coated tubular steel
4. Seat/Back Surface: BRODA Comfort Tension Seating™ Strapping is 1.5" wide, by .130" thick; contains fungicide, has shape memory retention, is fire retardant
5. Arms: Choice of seat or base mounted arms
Swing away and removable
Adjustable armrest height
6. Leg Rest: Leg rest articulates and extends with back recline (Model 785 only)
Leg rest adjusts independently of back recline (Model 785 only)
Leg rest adjusts to any angle between horizontal and vertical
7. Footrest: Split flip down removable/adjustable footrest
8. Wings: Removable wings
9. Padding: Removable padding (shoulder bolsters, neck rest, upper & lower side pads, seat and back pad with removable terry cover, calf pad, sole pad, extra terry covers)
The 34 ounce healthcare vinyl fabric covering is manufactured to meet the following requirements: DIN 75 200/DIN 53 438; MVSS 302, M2; CAL 117, and Wyzenbeck Heavy Duty Abrasion Test; has an antimicrobial, antibacterial, anti-stain and anti-static finish; Cold crack of -20°C. Polyurethane foam meets CAL 117.

Removable seat and back pads are covered with an 8 ounce soft vinyl which meets CAN2-162 flammability standard for hospital textiles. Polyurethane foam meets CAL 117. Removable, washable, pre-shrunk fitted cotton terry covers are provided for the seat and back pads. Terry covers provide absorption, and vapor and heat transfer.
10. Casters: 5" total lock front casters, 6" Single directional locking rear casters
Non-marking grey rubber tires.
11. Seat Depth: 17"
12. Seat Height: 20.5"
13. Seat Width: 20" (18" also standard)
14. Overall Width: 29"
15. Overall Height: 50"
16. Weight Capacity: 350 lbs
17. Overall Weight: Approx. 115 lbs standard features

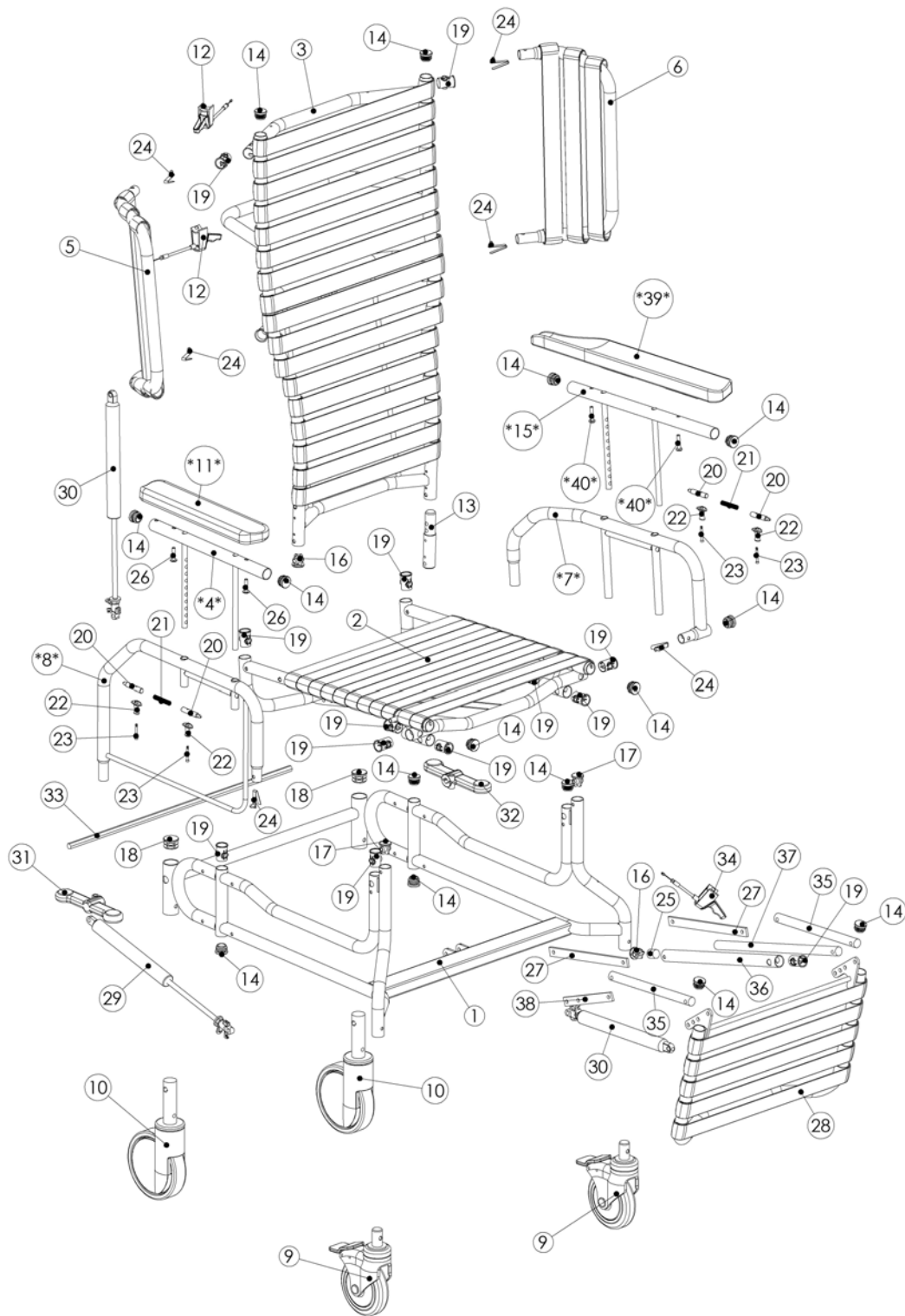
All dimensions are ± 0.5".

5.2 Labels

BRODA uses certain labels to assist caregivers to identify items which permit the operation of the chair's functions.

<p>Manufacturer's Label (White)</p>  <p>MADE IN CANADA / FABRIQUE AU CANADA</p> <p>560 Bingham Centre Drive, Kitchener, ON Canada, N2B 3X9 PHONE 1 – 519 746-8080 FAX 1-519-746-8616</p>		<p>Serial Number Label (Grey)</p>  <p>BRODA SEATING 1-800-668-0637 PRODUCT # SERIAL # MADE IN CANADA</p>
<p>Recline Label (Blue) 785</p>  <p>BACK RECLINE SQUEEZE HANDLE</p>	<p>Tilt Label (Tan)</p>  <p>SEAT TILT SQUEEZE HANDLE</p>	<p>Manufacturer's Label for Split Flip Down Footrest (White)</p> 
<p>Tilt and Recline Label (White) 785</p> <p>For Proper Positioning STEP 1: Tilt Seat STEP 2: Recline Back</p> 		<p>Footrest Attachment/Detachment Label (White)</p> 
<p>Removable Armrest Label (Grey)</p> <div style="display: flex; justify-content: space-around;"> <div data-bbox="280 1262 472 1549"> <p><u>To Remove Arm</u></p> <p>Push button on front of seat while pulling out arm</p> </div> <div data-bbox="557 1262 771 1549"> <p><u>TO REMOVE ARM</u></p> <p>PUSH DOWN ON ARM</p> <p>WHILE PUSHING BUTTON</p> </div> </div> <p style="text-align: center;">and/or</p>		<p>Multi-Directional Caster Label (Grey)</p> 
<p>Patent Label (White)</p>  <p>CDN PAT# 2,204,579 US PAT# 5,868,461 785</p>		<p>Weight Capacity Label</p>  <p>MAXIMUM WEIGHT CAPACITY: 350 LBS (158 kg)</p>

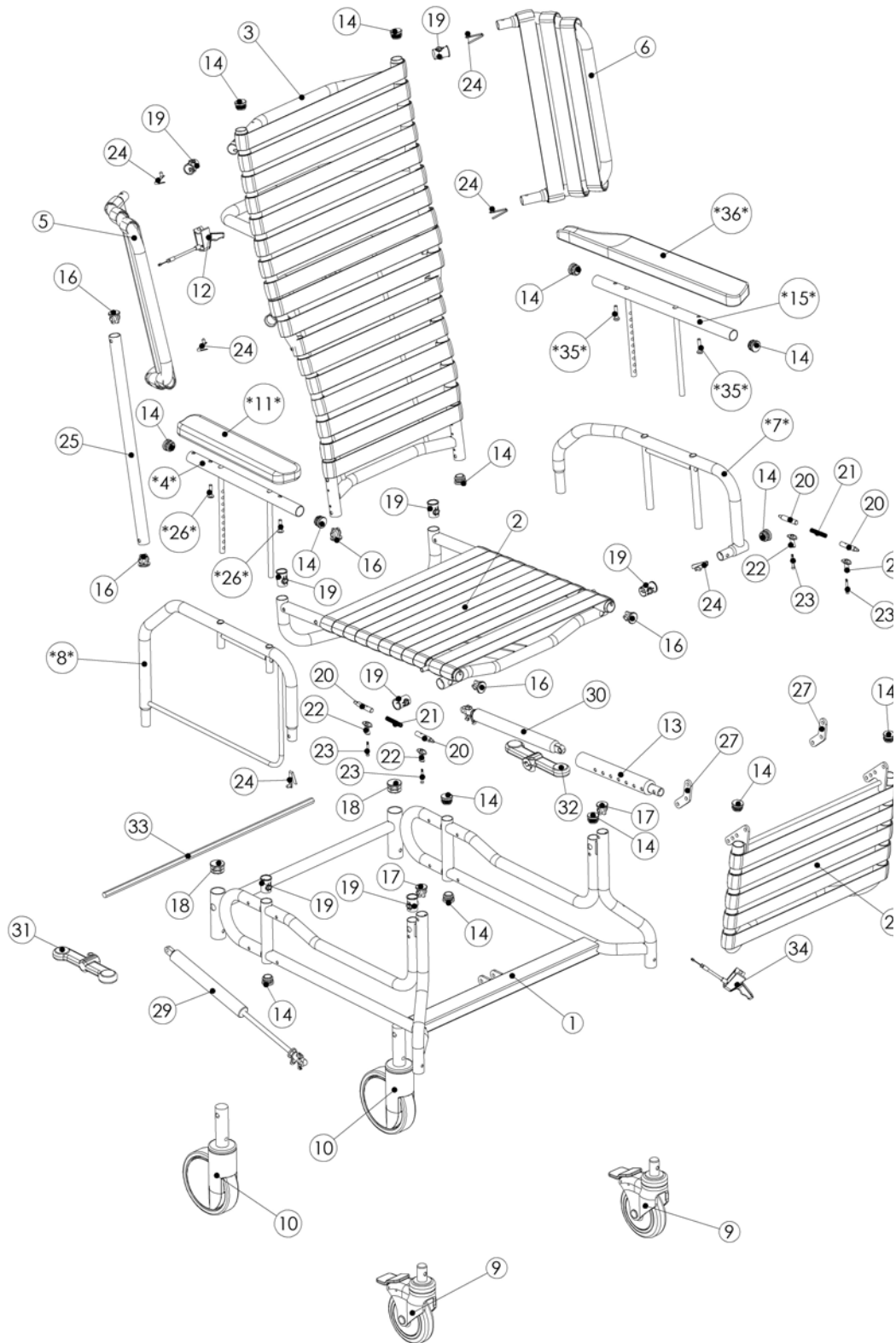
5.3 BRODA Seating 785 Parts Schematic Drawing



BRODA Seating 785 Parts Schematic Legend

#	Description	Quantity	Part Number
1	Frm BASE XX" 785V3	1	20X10X00X
2	Frm SEAT XX" 785V3	1	20X201X08
3	Frm Back 785V2	1	20X30X00X
4	Frm arm top adj MID/PD GR (base mnt arms)	2	200501300
5	Frm lateral support right	1	200201200
6	Frm lateral support left	1	200201100
7	Frm Arm Bot Seat Mnt 785V3 XX (left or right)	0/2	2005040XX
8	Frm Arm Bot Base Mnt 785V2	2/0	200504004
9	Whe caster 5" total lock	2	430101000
10	Whe caster 6" SDLC	2	430105000
11	Armrest Pad A-3 (Base or Seat Mnt Arms)	0/2	430402000
12	Kit Cable & Handle Assy 48"	2	500600100
13	Frm seat plug 3.0" GREY	1	200201100
14	Plug rnd 1" 16-18ga inside ribbed	12/14	410003030
15	Frm Armtop 785V3 (seat mnt arms)	0/2	200501304
16	Plug with 5/16" pass hole	2	430112000
17	Plug with 1/4" pass hole	2	430113000
18	Plug rnd 1-1/4" 16-18ga inside ribbed, black	2	410003060
19	Bushing arm sleeve	15	430114000
20	Bmp Arm Adj. Pin, Zinc	4	430401401
21	Spring 3" for Adj. Arm	2	430124000
22	Bmp Arm Adj. Pin Handle, Zinc	4	430401501
23	Screw 8/32x1-1/4 fillister socket 23 zinc	4	412113500
24	Spring for armbottoms/wings	6	430122000
25	Spring 90A Urethane	1	430123002
26	Screw 1/4-20x1-1/8 truss head (base mnt arm)	0/4	412132002
27	Frm Legrest Ext Bar 785V2 GREY	2	200403005
28	Frm Legrest XX" Vertical	1	20X40X000
29	Cyl gas spring pab 10 (800N)	1	430201000
30	Cyl gas spring pab 5 (300N)	2	430201000
31	Whe Pedal for SDLC Caster RH	1	430105002
32	Whe Pedal for SDLC Caster LH	1	430105001
33	Frame Wheel Control Rod	1	20X70X000
34	Kit Cable & Handle Assy 32"	1	500600105
35	Frm lgrst rod att 17"s/d GREY	2	200401100
36	Frm lgrst elevation tube GREY	1	200405000
37	Frm lgrst rod elv 17"s/d V2 GR	1	200407003
38	Frm legrest jlever GREY	1	200404000
39	Armrest Pad A-8R XX (left or right) (Option Seat Mnt Arm)	0/2	43040200X
40	Screw 1/4-20x1-1/4 pan quad, zinc (Seat Mnt Arm)	0/4	412133001

5.4 BRODA Seating 85V Parts Schematic Drawing



BRODA Seating 85V Parts Schematic Legend

#	Description	Quantity	Part Number
1	Frm BASE XX" 785V3	1	20X10X00X
2	Frm Seat 85V3	1	20X201X09
3	Frm Back 785V2	1	20X30X00X
4	Frm arm top adj MID/PD GR	2	200501300
5	Frm lateral support right	1	200201200
6	Frm lateral support left	1	200201100
7	Frm Arm Bot Seat Mnt 785V3 XX (left or right)	0/2	2005040XX
8	Frm Arm Bot Base Mnt 785V2	2/0	200504004
9	Whe caster 5" total lock	2	430101000
10	Whe caster 6" SDLC	2	430105000
11	Arm A-3 Armrest (Base or Seat Mnt Arms)	2	430402000
12	Kit Cable & Handle Assy 48"	1	500600101
13	Frm PAB Bar-Double Tilt Cyl	1	200001502
14	Plug rnd 1" 16-18ga inside ribbed	11/13	410003030
15	Frm armtop 785V3	0/2	200501304
16	Plug with 5/16" pass hole	3	430112000
17	Plug with 1/4" pass hole	2	430113000
18	Plug rnd 1-1/4" 16-18ga inside ribbed, black	2	410003060
19	Bushing arm sleeve	10	430114000
20	Bmp Arm Adj. Pin, Zinc	4	430401401
21	Spring 3" for Adj. Arm	2	430124000
22	Bmp Arm Adj. Pin Handle, Zinc	4	430401501
23	Screw 8/32x1-1/4 fillister socket 23 zinc	4	412113500
24	Spring for armbottoms/wings	6	430122000
25	Frm Backrest Cyl Tube 785V2	1	200304000
26	Screw 1/4-20x1-1/8 truss head (base mnt arm)	0/4	412132002
27	Bmp Legrest Ext 785V2	2	210401002
28	Frm Legrest XX" Vertical	1	20X40X000
29	Cyl gas spring pab 10 (800N)	1	430201000
30	Cyl gas spring pab 5 (300N)	1	430201000
31	Whe Pedal for SDLC Caster RH	1	430105002
32	Whe Pedal for SDLC Caster LH	1	430105001
33	Frame Wheel Control Rod	1	20X70X000
34	Kit Cable & Handle Assy 32"	1	500600105
35	Screw 1/4-20x1-1/4 pan quad, zinc	0/4	412133001
36	Armrest Pad A-8R XX (left or right) (Option Seat Mnt Arm)	0/4	43040200X

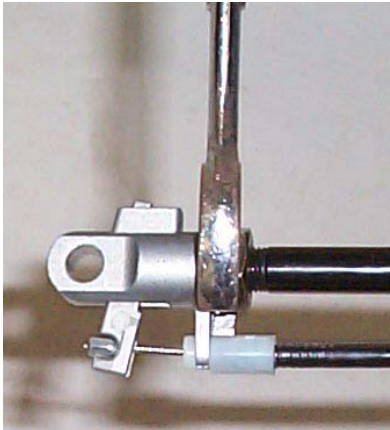
6 COMMON TROUBLESHOOTING AND REPAIR

Please have the chair serial number ready when contacting BRODA or your local area representative for parts or assistance for your chair. The serial number can be found on a grey sticker on the rear of the chair.

6.1 Troubleshooting for Gas Cylinders

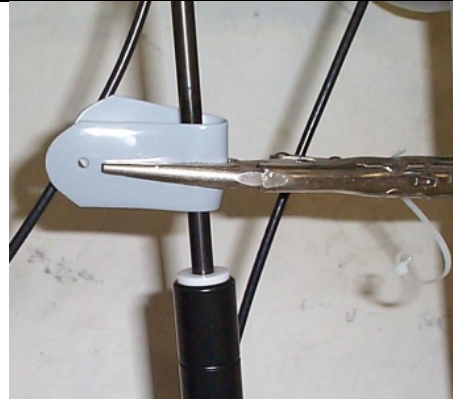
The use of gas charged springs (cylinders) on BRODA products allows the caregiver to easily make adjustments to the tilt, recline, and leg rest with a minimal effort. The gas cylinders contain Nitrogen gas, it is not flammable nor is it toxic. The cylinders provide a lifting force which counterbalances the weight of the occupant thereby reducing the amount of weight the caregiver needs to lift.

Symptom	Problem	Solution
The chair is not reclining or tilting or leg rest is not moving when the handle is squeezed	The pin in the end of the cylinder is not being depressed when the handle is pulled.	Ensure the cable is attached to the cylinder actuator. If cable is attached, see Adjustment Step sbelow.
The chair (tilt, recline or leg rest) seems to slowly slide out of position	The pin in the end of the cylinder may be still partially depressed.	See Adjustment Steps below:

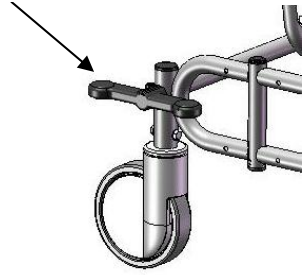
Adjustment Steps:	
<p>-Loosen the lock nut located on the stem of the gas cylinder next to the actuator (17mm or 11/16" wrench)</p> <p>-From the above instruction determine whether you want to wind the stem further into the actuator or further out of the actuator. Wind the stem further into the actuator if the chair is not tilting or reclining, (wind clockwise) and wind it further out of the actuator if the chair is slowly sliding out of position. (wind counter-clockwise)</p> <p>-Wind the stem in the correct direction one half turn.</p> <p>-Check the function of the cylinder and repeat the above step until the cylinder functions properly.</p> <p>-Tighten the lock nut loosened in the first step.</p> <p>-If adjusting the cylinder does not correct the problem, the cylinder may need to be replaced. Please contact BRODA at or your local area representative.</p>	 <p>Note: Cylinder does not need to be removed from the chair to make this adjustment.</p>

Note: When adjusting cylinders with tools that come in contact with the cylinder rods, a cloth or some other protective material must be used to protect the sliding surface of the rod. If the rod becomes scratched or marred it will damage the seal on the cylinder and the cylinder will fail.

Damaging a cylinder in this fashion voids the manufacturer's warranty.



6.2 Rear Casters

Symptom	Problem	Solution
The rear caster function is controlled by one step on the butterfly pedal. The rear caster is not engaging into the correct position when using the butterfly pedal.	The rear caster is no longer functional.	The rear caster must be replaced. Contact BRODA or your local representative. Butterfly Pedal 

7 WARRANTY

BRODA SEATING WARRANTY

BRODA provides a Three Year Warranty on the chair frame, and a One Year Warranty on all other components subject to the following conditions:

No warranty is provided on seat pads or cloth covers.

The chair frames are guaranteed for three years against structural defects or failure. All other parts (except seat pads and cloth covers) including but not limited to strapping, cushions, gas springs and attachments, casters, wheels, brakes and armrests are guaranteed for one year against defects in materials and workmanship based on normal institutional use. The guarantee does not cover malicious or deliberate damage or damage from misuse. The guarantee does not cover use of BRODA chairs in a shower or pool, with the exception of the BRODA Commode/Shower Chair.

Modifications to BRODA products or the use of non-BRODA supplied parts voids the warranty. This warranty does not cover shipping damage (see below).

BRODA will provide new or refurbished parts for installation by the owner at no cost following confirmation by the local BRODA Representative or the BRODA Head Office Customer Service Representative. On request, defective parts must be returned to the factory within thirty days of receipt of the replacement parts by the owner. If the defective parts are not returned to BRODA on request, the owner will bear the cost of the replacement parts on invoice from BRODA.

Warranty does not include on-site labor for the installation of warranty parts or warranty repairs. The owner may return to BRODA products for warranty replacement or repair by shipping items prepaid and insured to the factory. Warranty completed at the factory includes both materials and labor. The decision to repair or replace parts is at the discretion of BRODA. All returns to the factory require prior authorization from BRODA.

BRODA retains the right to make design and application changes without notice. All orders will be filled with BRODA's current models unless otherwise specified by the purchaser.

BRODA chairs are designed for patient mobility, positioning, and comfort in specialty seating, however, the application of BRODA products shall remain the responsibility of the purchaser or user.

This warranty is not transferable.

RETURNS

BRODA Seating will not accept any returns without a prior Returned Goods Authorization Number. Please contact our Head Office Customer Service Representative at 1-800-668-0637 for assistance. Returns must be insured when shipped.

DAMAGED FREIGHT

NOTIFY THE CARRIER OF ANY DAMAGE IMMEDIATELY

It is the responsibility of the person receiving the goods to examine cartons and goods before accepting receipt. Note all damages on the bill of lading and file a claim if necessary. Notify the carrier of any concealed damaged within 48 hours of receipt.

BRODA insures all products for in transit damage, failure to notify the carrier of in transit damage voids both the insurance and the BRODA warranty. If you require assistance, contact our Head Office at 1-800-668-0637.

SALES TAX

Most BRODA products are G.S.T. Zero Rated and Exempt from Canadian Provincial Sales Tax. Purchasers may be required to check with their Provincial or State Tax Office for purchaser tax payment.

Register your warranty at www.brodaseating.com