



Connecting/Disconnecting the Cylinder to and from the Compressor

CAUTION

The maximum patient flow while filling a cylinder is 3 L/min for Platinum 5 liter, XL and Perfecto concentrators and 5 L/min for Platinum10 liter concentrators. Patients with a higher prescribed flow should not fill a cylinder while receiving supplemental oxygen treatment from the Platinum Concentrator. **WARNING:** NEVER use tools of any kind to connect/disconnect the cylinder and the compressor. Otherwise, severe injury and/or damage may occur.

Connecting the Cylinder to the Compressor

1. Examine the cylinder gauge. If the cylinder pressure is less than 1500 psig, proceed to STEP 2.

NOTE: If the cylinder pressure is greater than 1500 psig, DO NOT attempt to top off this cylinder. It may not fill.

2. Set the regulator flow dial on the cylinder to **Off**.

3. Remove the cylinder and connector fillport covers (if present).

4. Momentarily push **DOWN** on the outer ring (sleeve) of the connector fillport until **GREEN** dots are visible to reset the connector (Figure 1).

NOTE: If the outer ring (sleeve) is in the UP position (GREEN dots not visible), the connector fillport will not be able to accept the cylinder fillport. Pushing DOWN momentarily will reset the connector fillport (GREEN dots visible) to accept the cylinder fillport.

5. Grasp the cylinder in the area behind the cylinder fillport

6. Position the cylinder in the compressor cradle.

7. Align the cylinder fillport with the connector fillport.

8. Pull **UP** on the outer ring (sleeve) of the connector fillport while pushing **DOWN** on the cylinder to couple the cylinder fillport into the connector fillport (Figure 2).

NOTE: The cylinder is properly connected when an audible "click" is heard.

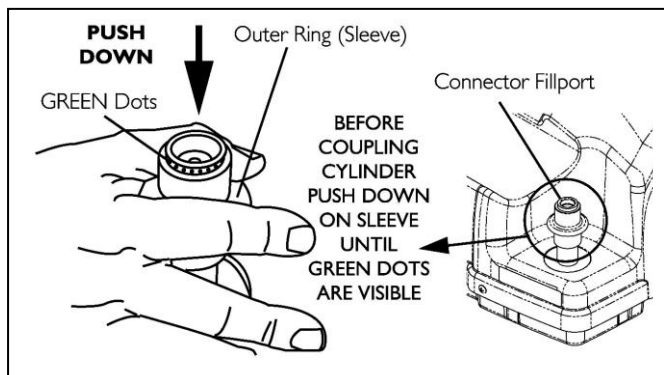


Figure 1

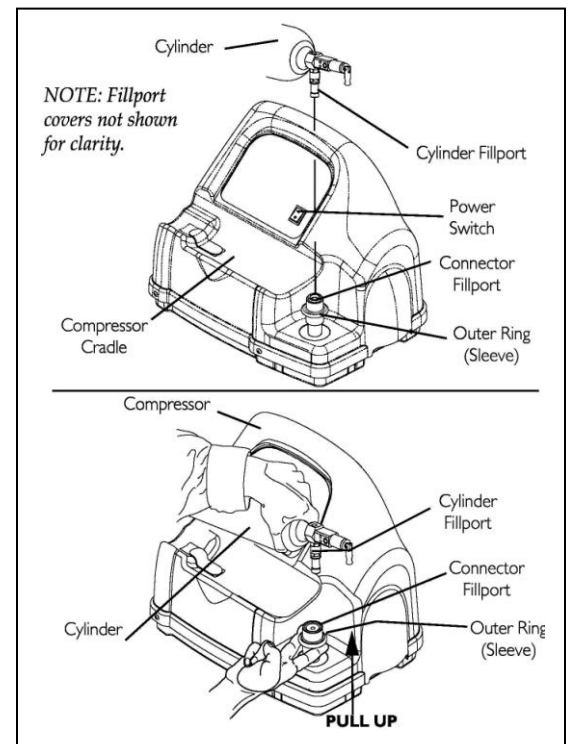


Figure 2



Disconnecting the Cylinder from the Compressor

1. Press the compressor power switch to the Off (O) position.
2. Grasp the cylinder in the area behind the cylinder fillport.
3. With the other hand, grasp the outer ring (sleeve) of the connector fillport and push DOWN.
4. Lift up on the cylinder to remove from the connector fillport.
5. When the cylinder fillport is disconnected from the connector fillport, release the outer ring (sleeve) of the connector fillport and use two hands to remove the cylinder from the compressor cradle (Figure 3).
6. Place the fillport covers onto the connector fillport and cylinder fillport.
7. Examine the cylinder gauge to ensure cylinder is full (needle pointing into GREEN area).

If the cylinder is not full, perform the following:

- A. Repeat Connecting the Cylinder to the Compressor procedure.
- B. If cylinder is not full after second attempt to fill, contact Customer Service at 877-885-4325.

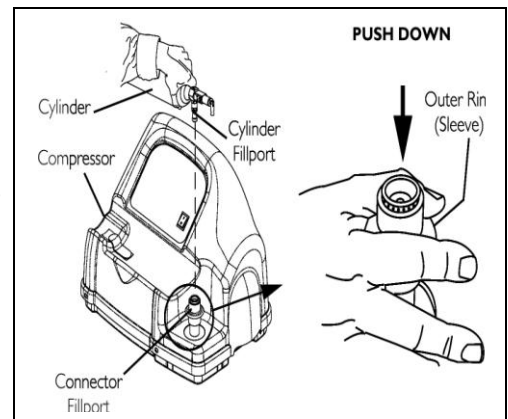


Figure 3

Turning the Compressor On

1. Make sure the concentrator is On.
2. Set the concentrator flow rate to the patient to maximum 5 L/min for Platinum 10 L Concentrators.
3. Make sure the cylinder is connected to the compressor.
4. Push the power switch on the control panel to the On (I) position.
5. Examine the control panel. The following sequence of events should occur:
 - A. 0-3 minutes - The O2 Below Normal (YELLOW) light will be lit while the compressor warms up.
 - B. After three minutes - The FILLING (GREEN) light will be on while the cylinder is filling.
 - C. The FULL (GREEN) light will be on when the cylinder is finished filling.
6. Remove the full cylinder.
7. Push the power switch to the Off (O) position.

The basic information given in this handout does not replace the manufacturer's suggested use guidelines. For more information go to <http://therapysupport.com/info> for the complete owner's manual. Please contact Therapy Support @ 877-885-HEAL for any questions, service, or repairs.

Do Not Attempt to repair this equipment